

Self-Inking Stamp



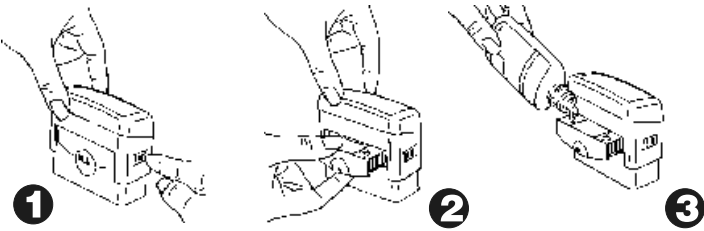
RE-INKING INSTRUCTIONS

How to re-ink your Self-Inking Rubber Stamps

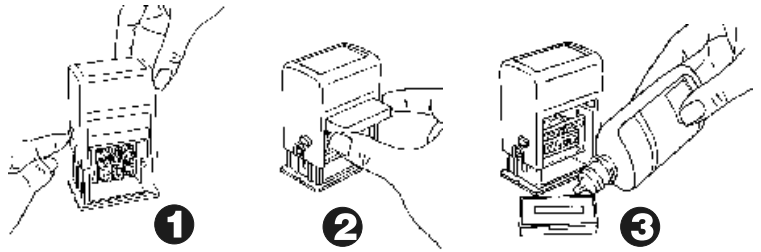
1. Push stamp down and lock into place.
2. Pull out inkwell or stamp pad.
3. Place a thin layer of ink across the surface of the stamp pad. For Ideal, place 10 drops of ink into each inkwell slot
4. Allow 15 minutes to fully saturate.
5. Repeat again if necessary.

Refill Only With Same Color Ink As Your Original stamp.

**Ideal has one slide lock (as pictured below)
Cosco has two push locks (one on each side)**

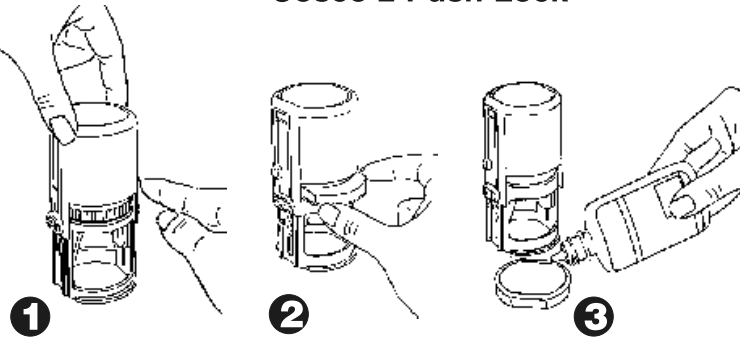


**STOCK PLASTIC DATER: Ideal 1 Slide Lock
Cosco 2 Push Lock**



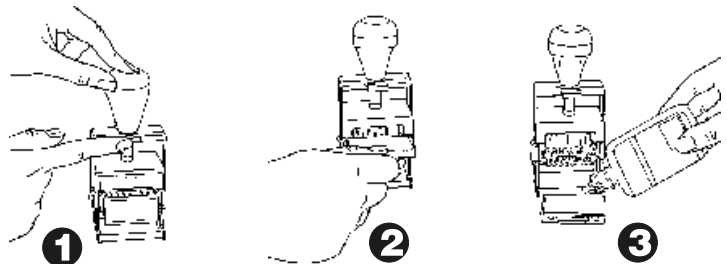
Round Stamps:

**Ideal 1 Slide Lock
Cosco 2 Push Lock**



STOCK HEAVY DUTY DATER, MESSAGE & NUMBER STAMPS

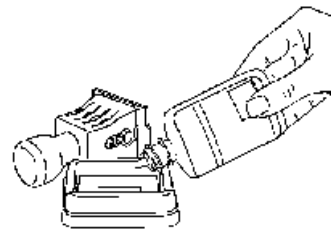
Trodat Lock Buttons on each side. All others one lock button on front just below handle.



CUSTOM TRADITIONAL DATE STAMP

1. Remove stamp from dish.
2. Place a thin layer of ink across the surface of the stamp pad.
4. Allow 15 minutes to fully saturate.
5. Repeat again if necessary.

REFILL WITH THE SAME COLOR INK AS YOUR ORIGINAL STAMP.



Use ONLY a water based ordinary stamp pad ink
Do not use any ink labeled as 'pre-inked' stamp pad ink